

# AIZ



## CONNECTORS AND FITTINGS FOR ELECTRICAL POWER INDUSTRY

[www.aiz.lt](http://www.aiz.lt)



The “AIZ” factory is located in Vilnius, the capital city of Lithuania in European Union. The company is experienced manufacturer and supplier of: mechanical screw connectors and lugs for electrical utility networks; cable accessories; overhead line pole mounted fuse switch disconnectors; glass and composite silicone insulators; bus bar hardware and accessories for power lines. Approximately 70 percent of our production is exported worldwide.

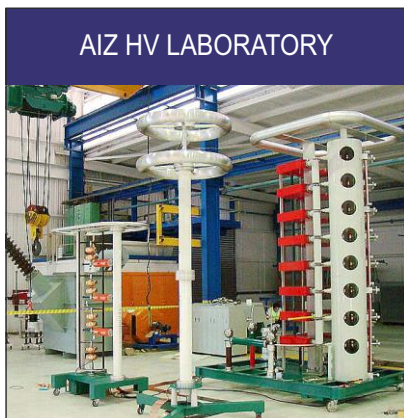
The company has obtained ISO 9001 quality management and ISO 14001 environmental system management certification.

The company has various equipment such as:

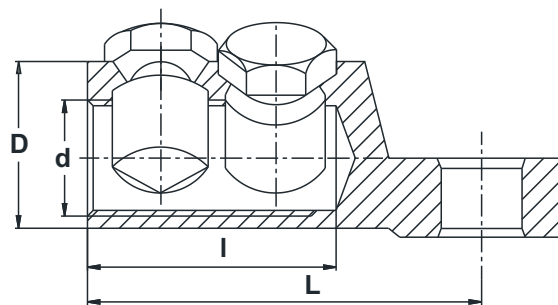
- Precision Machinery CNC turning / milling lathes;
- Rotary Swaging-Coning line;
- Manufacturing and assembly workshops;
- Electrolytic Tinning Process line for tin-plating of aluminum components.

## CONTENTS OF THIS BROCHURE:

- HIGH QUALITY CABLE CONTACT ARMATURE FOR 1-12KV, 36KV:
  - MECHANICAL LUGS FOR CROSS SECTIONS FROM 6 UP TO 1600MM<sup>2</sup>;
  - MECHANICAL CONNECTORS FOR CROSS SECTIONS FROM 1.5 UP TO 1600MM<sup>2</sup>;
  - PATENTED SPECIAL TYPE - FOR FRAGILE MULTI WIRE CONDUCTORS;
  - IEC 61238-1 COMPLIANT;
  - CERTIFIED BY SGS FIMKO TESTING AND CERTIFICATION SERVICES.
- POLE MOUNTED FUSE SWITCH DISCONNECTORS:
  - SKS for 160A;
  - SKS for 400A;
  - EN 60947-1 & EN 60947-3 COMPLIANT.



# MECHANICAL SCREW LUG FOR 1-12 KV



Type	Cross-section AL, mm <sup>2</sup>				Cu, mm <sup>2</sup>		Dimensions, mm				Channel form	Screws, pcs
	RE	RM	SE	SM	RM/SM	RE	L	I	D	d		
ML-6-35x...	6-35	10-35	35	35	6-35	6-35	40	18	16	9	round	1
ML-6-50x...	10-50	10-50	35-50	35-50	6-50	6-35	51	28	20	11	round	1
ML-6-50x...-2	10-50	10-50	35-50	35-50	6-50	6-35	51	28	20	11	round	2
ML-16-70x...	16-70	16-70	35-70	35-70	16-70	25-35	75	40	22	12	round	2
ML-16-95x...	16-95	16-95	35-95	35-95	16-95	16-35	52	24	25	14	sector	1
ML-25-185x...	25-185	35-185	35-185	35-185	25-150	25-35	95	54	33	22	round	2
ML-35-150x...	35-150	35-150	35-150	35-120	35-120	35	85	52	29	18	round	2
ML-50-240...	50-240	50-240	50-240	50-240	50-240	-	97	57	35	22	sector	2
ML-120-300x...	120-300	120-300	120-300	120-300	120-300	-	104	59	38	24	round	2

## Type selection guide:

ML	A	6-35	10	N
TYPE	SHEAR-OFF BOLTS	CROSS-SECTION	M-SIZE	SURFACE COATING
ML = mechanical cable lugs for 1-12 kV body from high strength aluminium alloy	A = high strength aluminium alloy without A = brass, tin-plated	range: from 6 to 35 mm <sup>2</sup>	for bolt size M Ø, mm = 10, 12, 16, 20 10 = M10	N = uncoated without N = tin-plated

Example:

**MLA - 6-35 x 10 - N**

- mechanical cable lug for 1-12 kV;
- body - high strength aluminium alloy, without coating;
- shear-off bolts - high strength aluminium alloy, without coating;
- for connecting conductor cross sections from 6 to 35 mm<sup>2</sup>;
- palm hole M=10.

Conform to IEC 61238-1

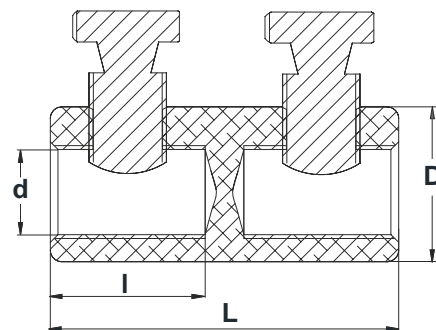
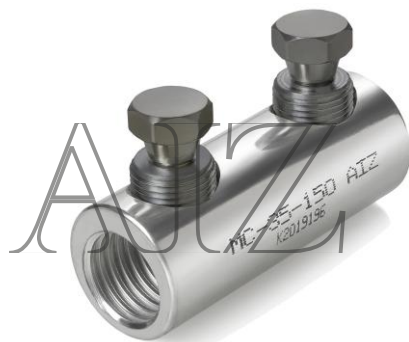
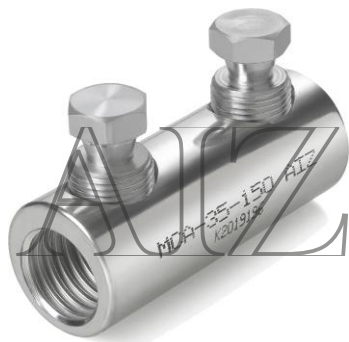


**AIZ**

Darius ir Girėno 177D  
LT-02189 Vilnius Lietuva

www.aiz.lt  
mail@aiz.lt

# MECHANICAL SCREW CONNECTOR FOR 1-12 KV



Type	Cross-section AL, mm <sup>2</sup>				Cu, mm <sup>2</sup>		Dimensions, mm				Channel form	Screws, pcs
	RE	RM	SE	SM	RM/SM	RE	L	I	D	d		
MC-1.5-16	10-16	10-16	-	-	1.5-16	1.5-16	31	14	12	6	round	2
MC-6-25	10-35	10-35	35	35	10-35	6-25	40	17	16	9	round	2
MC-6-50	10-50	10-50	35-50	35-50	6-50	6-35	38	16	18	10	sector	2
MC-16-70	16-70	16-70	35-70	35-70	16-70	16-35	55	24	20	12	round	2
MC-16-95	16-95	16-95	35-95	35-95	16-95	16-35	55	24	25	14	sector	2
MC-25-95	25-95	25-95	35-95	35-95	25-95	25-35	56	24	25	14	round	2
MC-25-150	25-150	25-150	35-150	35-150	25-150	25-35	71	30	28	17	sector	2
MC-25-185	25-185	25-185	35-185	35-185	25-150	25-35	80	37	33	22	round	2
MC-35-150	35-150	35-150	35-150	35-150	35-120	35	70	30	28	18	round	2
MC-50-240	50-240	50-240	50-240	50-240	50-240	-	120	56	35	22	sector	4
MC-120-240	120-240	120-240	120-240	120-240	120-240	-	80	32	35	24	round	2
MC-120-300	120-300	120-300	120-300	120-300	120-300	-	112	52	38	22	sector	4

## Type selection guide:

MC	A	6-25	N
TYPE	SHEAR-OFF BOLTS	CROSS-SECTION	SURFACE COATING
MC = mechanical cable connector for 1-12 kV body from high strength aluminium alloy	A = high strength aluminium alloy without A = brass, tin-plated	range: from 6 to 25 mm <sup>2</sup>	N = uncoated without N = tin-plated

Example:

**MCA - 6-25**

- mechanical cable connector for 1-12kV;
- body - high strength aluminium alloy, tin-plated;
- shear-off bolts - high strength aluminium alloy, without coating;
- for connecting conductor cross sections from 6 to 25 mm<sup>2</sup>.

Conform to IEC 61238-1

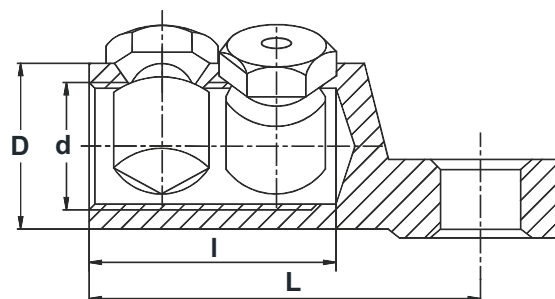


# AIZ

Darius ir Girėno 177D  
LT-02189 Vilnius Lietuva

www.aiz.lt  
mail@aiz.lt

# MECHANICAL SCREW LUG FOR 36 KV



Type	Cross-section AL, mm <sup>2</sup>			Cu, mm <sup>2</sup>		Dimensions, mm				Screws, pcs
	RE	RM	SM	RM	SM	L	l	d	D	
ML36-16-95x...	16-95	16-95	25-70	16-70	25-70	60	32.0	14.0	24	1
ML36-50-150x...	50-150	50-150	50-120	35-120	50-120	79	40.5	15.5	30	1
ML36-95-240x...	95-240	95-240	95-185	95-240	95-185	95	57.0	20.0	33	2
ML36-120-300x...	120-300	120-300	120-240	120-300	120-240	105	67.0	24.5	38	2
ML36-185-400x...	185-400	185-400	185-300	185-400	185-300	120	79.0	25.5	42	3
ML36-400-630x...	400-630	400-630	400-500	400-630	400-500	136	94.0	34.0	52	3
ML36-630-1000x...	630-1000	630-1000	-	630-1000	-	161	105.0	41.0	65	4

## Type selection guide:

ML	A	X	36	16 - 95	10
TYPE	SHEAR-OFF BOLTS	FORM OF THE BOLT	FOR VOLTAGE	CROSS SECTION	M-SIZE
ML = mechanical cable lug, body from high strength aluminium alloy, surface tin-plated	A = high strength AL alloy without A = brass, tin-plated	X = shear-off bolt without inner hexagonal without X = shear-off bolt with inner hexagonal	for 36 kV voltage	range: from 16 to 95 mm <sup>2</sup>	for bolt size M Ø, mm = 10,12,16,20 10 = M10

Example:

**MLA36 - 16-95 x 10**

- mechanical cable lug for 36 kV;
- body - high strength aluminium alloy, tin-plated;
- shear-off bolts - high strength aluminium alloy, without coating;
- shear-off bolts with inner hexagonal;
- for connecting conductor cross sections from 16 to 95 mm<sup>2</sup>;
- palm hole M=10.

Conform to IEC 61238-1



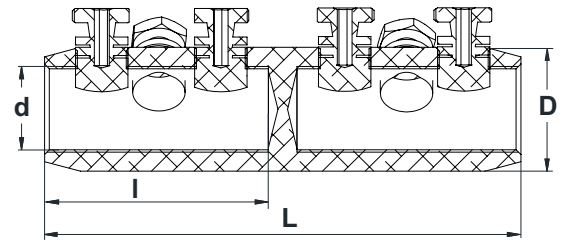
**AIZ**

Darius ir Girėno 177D  
LT-02189 Vilnius Lietuva

www.aiz.lt  
mail@aiz.lt



# MECHANICAL SCREW CONNECTOR FOR 36 KV



Type	Cross-section AL, mm <sup>2</sup>			Cu, mm <sup>2</sup>		Dimensions, mm				Screws, pcs
	RE	RM	SM	RM	SM	L	I	d	D	
MC36-16-95	16-95	16-95	25-70	16-95	25-70	70	33	12.5	24	2
MC36-50-150	50-150	50-150	50-120	35-150	50-120	85	35	15.5	30	2
MC36-95-240	95-240	95-240	95-185	95-240	95-185	120	56	20.0	33	4
MC36-120-300	120-300	120-300	120-240	120-300	120-240	142	67	24.5	38	4
MC36-185-400	185-400	185-400	185-300	185-400	185-300	170	82	25.5	42	6
MC36-400-630	400-630	400-630	400-500	400-630	400-500	200	94	34.0	52	6
MC36-630-1000	630-1000	630-1000	-	630-1000	-	220	105	41.0	65	8

## Type selection guide:

MC	A	X	36	16-95
TYPE	SHEAR-OFF BOLTS	FORM OF THE BOLT	FOR VOLTAGE	CROSS-SECTION
MC = mechanical cable connector; body from high strength aluminium alloy; surface tin-plated.	A = high strength AL alloy without A = brass, tin-plated	X = shear-off bolt without inner hexagonal without X = shear-off bolt with inner hexagonal	for 36 kV voltage	range: from 16 to 95 mm <sup>2</sup>

Example:

**MCA36 - 16-95**

- mechanical cable connector for 36 kV;
- body - high strength aluminium alloy, tin-plated;
- shear-off bolts - high strength aluminium alloy, without coating;
- shear-off bolts with inner hexagonal;
- for connecting conductor cross sections from 16 to 95 mm<sup>2</sup>.

Conform to IEC 61238-1



**AIZ**

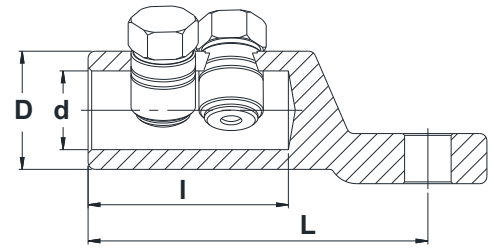
Darius ir Girėno 177D  
LT-02189 Vilnius Lietuva

www.aiz.lt  
mail@aiz.lt

# SPECIAL SCREW MECHANICAL LUG FOR FLEXIBLE CABLE

**NEW**

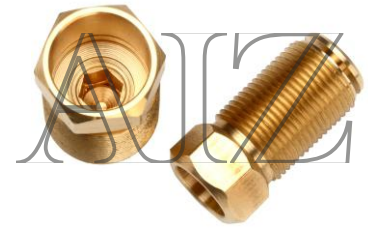
**PATENTED AIZ**



**DESIGNED FOR:** FLEXIBLE AL/CU MULTIWIRE CABLES

**SPECIAL DESIGNATION:** for protection of the flexible multiwire cores and fragile structure conductors from any possible damage during installation. The protection is ensured by a special shearing off bottom part of the bolt.

**SUITABLE FOR:** all types of cables: aluminium and copper, multiwire, with round and sectorial cores.



Type	Cross-section AL, mm <sup>2</sup>			Cu, mm <sup>2</sup>		Dimensions, mm				Screws, pcs
	RE	RM	SM	RM	SM	L	l	d	D	
SML-16-95x...	16-95	16-95	16-70	16-95	25-70	60	32.0	14.0	24	1
SML-50-150x...	50-150	50-150	50-120	35-120	50-120	79	40.5	15.5	30	1
SML-95-240x...	95-240	95-240	95-185	95-240	95-185	95	57.0	20.0	33	2
SML-120-300x...	120-300	120-300	120-240	120-300	120-240	105	67.0	24.5	38	2
SML-185-400x...	185-400	185-400	185-300	185-400	185-300	120	79.0	25.5	42	3
SML-400-630x...	400-630	400-630	400-500	400-630	400-500	136	94.0	34.0	52	3
SML-630-1000x...	630-1000	630-1000	-	630-1000	-	161	105.0	41.0	65	4

## Type selection guide:

SML	A	X	16 - 95	10
TYPE	SHEAR-OFF BOLTS	FORM OF THE BOLT	CROSS SECTION	M-SIZE
SML = special screw mechanical cable lug, for flexible cable, body from high strength aluminium alloy, surface tin-plated	A = high strength AL alloy without A = brass, tin-plated	X = shear-off bolt without inner hexagonal without X = shear-off bolt with inner hexagonal	range: from 16 to 95 mm <sup>2</sup>	for bolt size M Ø, mm = 10,12,16,20 10 = M10

Example:

**SML - 16-95 x 10**

- special screw mechanical cable lug;
- body - high strength aluminium alloy, tin-plated;
- special shear-off bolts from brass, tin-plated;
- shear-off bolts with inner hexagonal;
- for connecting conductor cross sections from 16 to 95 mm<sup>2</sup>, palm hole M=10.

Conform to IEC 61238-1



**AIZ**

Darius ir Girėno 177D  
LT-02189 Vilnius Lietuva

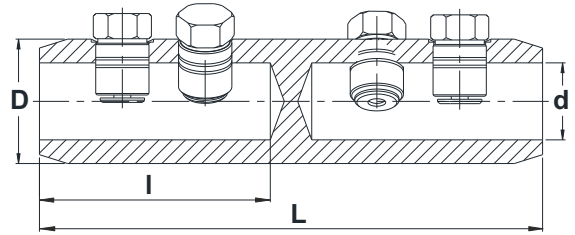
www.aiz.lt  
mail@aiz.lt

# SPECIAL SCREW MECHANICAL CONNECTOR FOR FLEXIBLE CABLE



**NEW**

**PATENTED AIZ**



**DESIGNED FOR:** FLEXIBLE AL/CU MULTIWIRE CABLES

**SPECIAL DESIGNATION:** for protection of the flexible multiwire cores and fragile structure conductors from any possible damage during installation. The protection is ensured by a special shearing off bottom part of the bolt.

**SUITABLE FOR:** all types of cables: aluminium and copper, multiwire, with round and sectorial cores.



Type	Cross-section AL, mm <sup>2</sup>			Cu, mm <sup>2</sup>		Dimensions, mm				Screws, pcs
	RE	RM	SM	RM	SM	L	l	d	D	
SMC-16-95	16-95	16-95	25-70	16-95	25-70	70	33	12.5	24	2
SMC-50-150	50-150	50-150	50-120	35-150	50-120	85	35	15.5	30	2
SMC-95-240	95-240	95-240	95-185	95-240	95-185	120	56	20.0	33	4
SMC-120-300	120-300	120-300	120-240	120-300	120-240	142	67	24.5	38	4
SMC-185-400	185-400	185-400	185-300	185-400	185-300	170	82	25.5	42	6
SMC-400-630	400-630	400-630	400-500	400-630	400-500	200	94	34.0	52	6
SMC-630-1000	630-1000	630-1000	-	630-1000	-	220	105	41.0	65	8

## Type selection guide:

SMC	A	X	16 - 95
TYPE	SHEAR-OFF BOLTS	FORM OF THE BOLT	CROSS SECTION
SMC = special screw mechanical cable connector for flexible cable body from high strength aluminium alloy, surface tin-plated	A = high strength AL alloy without A = brass, tin-plated	X = shear-off bolt without inner hexagonal  without X = shear-off bolt with inner hexagonal	range: from 16 to 95 mm <sup>2</sup>

Example:

**SMC - 16-95**

- special screw mechanical cable connector;
- body - high strength aluminium alloy, tin-plated;
- special shear-off bolts from brass, tin-plated;
- shear-off bolts with inner hexagonal;
- for connecting conductor cross sections from 16 to 95 mm<sup>2</sup>.

Conform to IEC 61238-1



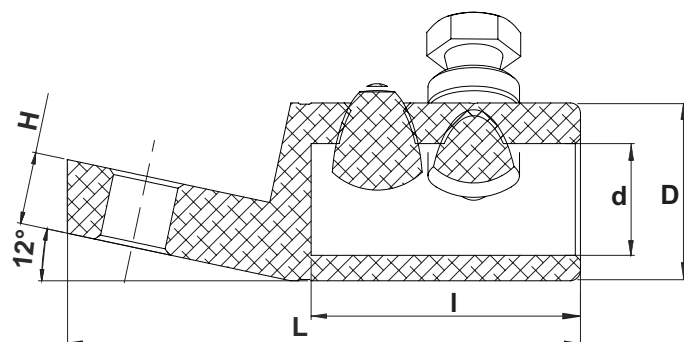
**AIZ**

Darius ir Girėno 177D  
LT-02189 Vilnius Lietuva

www.aiz.lt  
mail@aiz.lt



# ML-AP ANGLED PALM MECHANICAL LUG FOR 1-12 KV



Type	Cross-section AL, mm <sup>2</sup>				Cu, mm <sup>2</sup>		Dimensions, mm					Screws, pcs
	RE	RM	SE	SM	RM/SM	RE	L	I	D	d	H	
MLA-35-150x12AP...	35-150	35-150	35-150	35-120	35-120	35	88	46	28	18	12.0	2
MLA-50-240x12AP...	50-240	50-240	50-240	50-240	50-240	-	101	53	35	22	14.2	2

## Type selection guide:

ML	A	35-150	12	AP	N
TYPE	SHEAR-OFF BOLTS	CROSS-SECTION	M-SIZE	ANGLE PALM	SURFACE COATING
ML = mechanical cable lugs for 1-12 kV body from high strength aluminium alloy	A = high strength aluminium alloy without A = brass, tin-plated	range from 35 to 150 mm <sup>2</sup>	for bolt size M Ø, mm= 10,12,16,20 10 = M10	palm positioned at 12 ° angle	N = uncoated without N = tin-plated

Example:

**MLA - 35-150x12AP-N**

- mechanical cable lug for 1-12 kV;
- shear-off bolts - high strength aluminium alloy, without coating;
- for connecting conductor cross sections from 35 to 150 mm<sup>2</sup>;
- palm hole M12;
- palm positioned at 12 ° degree angle;
- body - high strength aluminium alloy, without coating.

Conform to IEC 61238-1

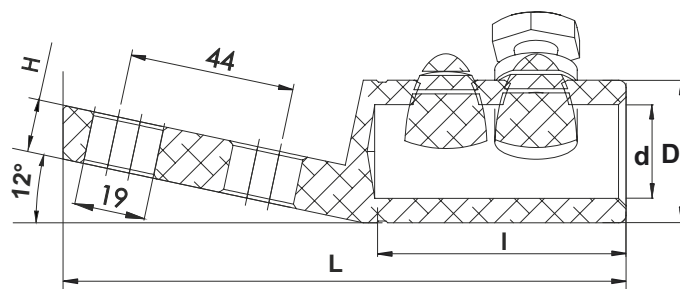


# AIZ

Darius ir Girėno 177D  
LT-02189 Vilnius Lietuva

www.aiz.lt  
mail@aiz.lt

# MDL-AP ANGLED DOUBLE PALM MECHANICAL LUG FOR 36 KV



Type	Cross-section AL, mm <sup>2</sup>				Cu, mm <sup>2</sup>		Dimensions, mm					Screws, pcs
	RE	RM	SE	SM	RM	SE	L	I	D	d	H	
MDL-120-300x2x12AP...	120-300	120-300	120-240	95-240	120-300	-	150	67	38	25	14.0	2
MDL-185-400x2x12AP...	185-400	185-400	185-300	185-400	185-300	-	180	82	42	26	15.0	3
MDL-400-630x2x12AP...	400-630	400-630	400-500	400-500	400-630	-	205	94	52	36	16.0	3

## Type selection guide:

MDL	A	X	120-300	2x12	AP	N
TYPE	SHEAR-OFF BOLTS	FORM OF THE BOLT	CROSS-SECTION	2xM-SIZE	ANGLE PALM	SURFACE COATING
MDL = double palm mechanical lugs for 36kV body from high strength aluminium alloy surface - tin plated	A = high strength aluminium alloy without A = brass, tin-plated	X = shear-off bolt without inner hexagonal without X = shear-off bolt with inner hexagonal	range from 120 to 300 mm <sup>2</sup>	for 2 bolts size M Ø, mm = 10, 12, 16, 20 10 = M10	palm positioned at 12° angle	N = uncoated without N = tin-plated

Example:

**MDL - 120-300x2x12AP-N**

- double palm mechanical cable lug for 36 kV;
- shear-off bolts - brass, tin-plated;
- shear-off bolts' head with inner hexagonal holes;
- for connecting conductor cross sections from 120 to 300 mm<sup>2</sup>;
- palm hole M12;
- palm positioned at 12° degree angle;
- body - high strength aluminium alloy, without coating.

Conform to IEC 61238-1



**AIZ**

Darius ir Girėno 177D  
LT-02189 Vilnius Lietuva

www.aiz.lt  
mail@aiz.lt

# DOUBLE PALM MECHANICAL SCREW LUG FOR 36 KV



Type	Cross-section AL, mm <sup>2</sup>				Cu, mm <sup>2</sup>		Dimensions, mm				Channel form	Screws, pcs
	RE	RM	SE	SM	RM/SM	RE	L	I	D	d		
MDL-16-95x2x...	16-95	16-95	25-70	16-70	25-70	16-35	92	32	24	14	round	1
MDL-95-240x2x...	95-240	95-240	95-185	95-185	95-185	-	128	57	33	20	round	2
MDL-185-400x2x...	185-400	185-400	185-300	185-300	185-400	-	159	82	42	26	round	3
MDL-400-630x2x...	400-630	400-630	400-500	400-500	400-630	-	180	94	52	34	round	3
MDL-630-1000x2x...	630-1000	630-1000	-	-	630-1000	-	208	106	65	41	round	4

## Type selection guide:

MDL	A	X	16 - 95	2x10
TYPE	SHEAR-OFF BOLTS	FORM OF THE BOLT	CROSS SECTION	M-SIZE
MDL = double palm mechanical lugs for 36kV body from high strength aluminium alloy surface - tin plated	A = high strength aluminium alloy without A = brass, tin-plated	X = shear-off bolt without inner hexagonal  without X = shear-off bolt with inner hexagonal	range: from 16 to 95 mm <sup>2</sup>	for bolt size M Ø, m=10,12,16,20 10 = M10

Example:

**MDLX - 16-95 x2x10**

- mechanical lug with double palm with 2 pcs M=10mm holes;
- for 36kV;
- body - high strength aluminium alloy, surface tin-plated;
- shear-off bolts - brass, tin-plated;
- shear-off bolts' head without inner hexagonal holes;
- for connecting conductor cross sections from 16 to 95 mm<sup>2</sup>.

Conform to IEC 61238-1

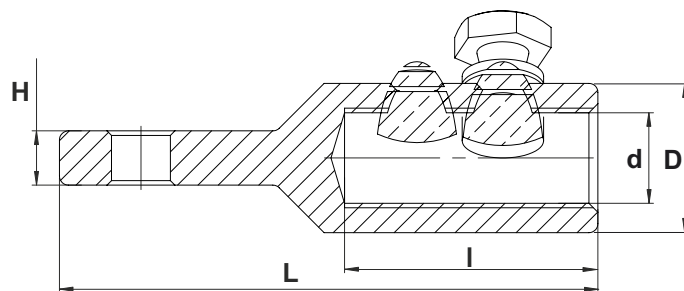


# AIZ

Darius ir Girėno 177D  
LT-02189 Vilnius Lietuva

www.aiz.lt  
mail@aiz.lt

# ML-CP MECHANICAL CENTER PALM LUG FOR 36 KV



Type	Cross-section AL, mm <sup>2</sup>			Cu, mm <sup>2</sup>		Dimensions, mm					Screws, pcs
	RE	RM	SM	RM	SM	L	I	D	d	H	
MLX36-16-95x12CP...	16-95	16-95	25-70	16-70	25-70	82	32	24	14	12.0	1
MLX36-95-240x12CP...	95-240	95-240	95-185	95-240	95-185	101	56	33	20	12.0	2

## Type selection guide:

ML	A	X	36	95-240	12	CP
TYPE	SHEAR-OFF BOLTS	FORM OF THE BOLT	FOR VOLTAGE	CROSS SECTION	M-SIZE	CENTER PALM
ML = mechanical cable lugs for 36 kV body from high strength aluminium alloy	A = high strength aluminium alloy without A = brass, tin-plated	X = shear-off bolt without inner hexagonal without X = shear-off bolt with inner hexagonal	for 36kV voltage	range from 35 to 150 mm <sup>2</sup>	for bolt size M Ø, mm = 10, 12, 16, 20	palm position at the center

Example:

**MLX - 95-240x12CP**

- mechanical cable lug for 36 kV;
- for connecting conductor cross sections from 95 to 240 mm<sup>2</sup>;
- shear-off bolts - brass, tin-plated;
- shear-off bolts -without inner hexagonal;
- palm hole M12;
- palm positioned at the center;
- body - high strength aluminium alloy, tin-plated.

Conform to IEC 61238-1

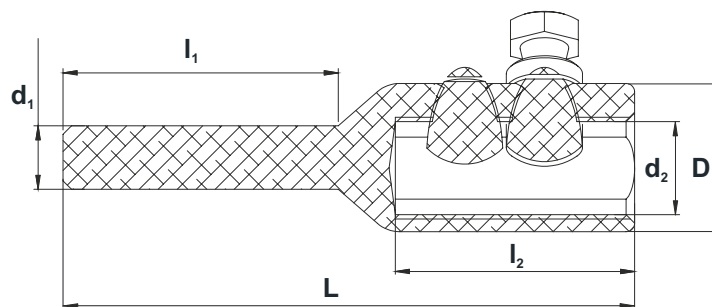
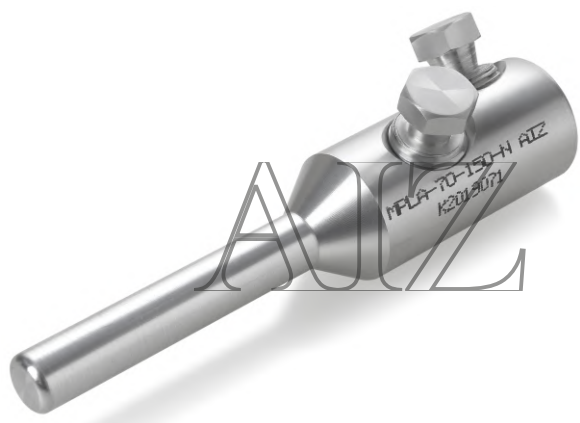


**AIZ**

Darius ir Girėno 177D  
LT-02189 Vilnius Lietuva

www.aiz.lt  
mail@aiz.lt

# PIN-TYPE MECHANICAL LUG



Type	Cross-section AL, mm <sup>2</sup>				Dimensions, mm						Channel form	Screws, pcs
	RE	RM	SE	SM	d1	d2	L	l <sub>1</sub>	l <sub>2</sub>	D		
MPLA-25-95-N	25-95	25-95	25-70	25-70	10	14	120	65	43	24	round	2
MPLA-70-150-N	35-150	35-150	35-120	35-120	12	18	130	65	52	28	round	2
MPLA-120-240-N	120-240	120-240	120-240	120-240	15	22	135	65	56	35	sector	2

## Type selection guide:

MPL	A	25-95	N
TYPE	SHEAR-OFF BOLTS	CROSS-SECTION	SURFACE COATING
MPL = pin type mechanical cable lugs for 1-12 kV body from high strength aluminium alloy	A = high strength aluminium alloy without A = brass, tin-plated	range: from 25 to 95 mm <sup>2</sup>	N = uncoated without N = tin-plated

Example:

**MPLA - 25-95- N**

- pin type mechanical cable lug for 1-12 kV;
- body - high strength aluminium alloy, without coating;
- shear-off bolts - high strength aluminium alloy, without coating;
- for connecting conductor cross sections from 25 to 95 mm<sup>2</sup>.

Conform to IEC 61238-1



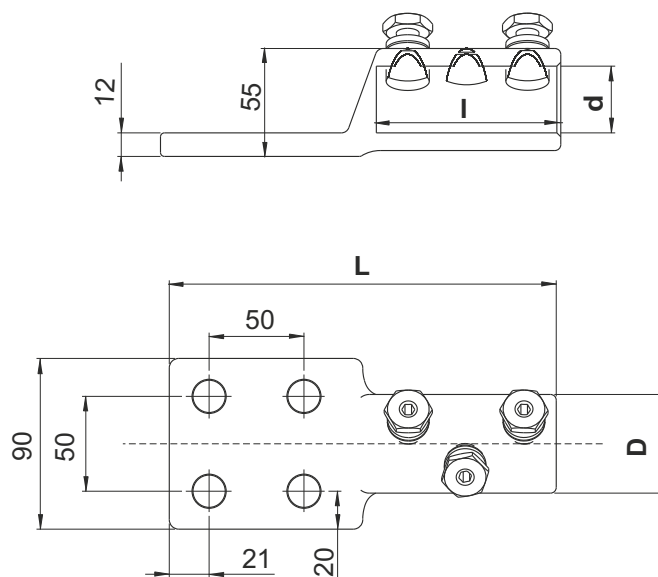
# AIZ

Darius ir Girėno 177D  
LT-02189 Vilnius Lietuva

www.aiz.lt  
mail@aiz.lt



# MECHANICAL SCREW LUG FOR EQUIPMENT



Type	Cross-section AL, mm <sup>2</sup>	Cross-section Cu, mm <sup>2</sup>	Dimensions, mm				Screws, pcs
			L	I	d	D	
ML 400-630x4x16 50/50	400 - 630	400 - 630	204	94	34	52	3
ML 185-400x4x16 50/50	185 - 400	185 - 400	185	82	26	42	3

## Type selection guide:

ML	A	X	400 - 630	4x16 50/50	N
TYPE	SHEAR-OFF BOLTS	FORM OF THE BOLT	CROSS-SECTION	PALM PLATE	SURFACE COATING
ML = mechanical cable lug for equipment; body from high strength aluminium alloy	A = high strength AL alloy without A = brass, tin-plated	X = shear-off bolt without inner hexagonal without X = shear-off bolt with inner hexagonal	range: 400 - 630 mm <sup>2</sup>	plate dimensions 50 x 50 mm <sup>2</sup> with 4 pcs holes for bolts size M16	N = uncoated without N = tin-plated

Example:

**MLA - 400-630x4x16 50/50-N**

- mechanical cable lug for equipment;
- body from high strength aluminium alloy, un coated;
- shear-off bolts from high strength aluminium alloy, un-coated;
- shear-off bolts' head with inner hexagonal holes;
- for connecting conductor cross sections from 400 to 630 mm<sup>2</sup>.

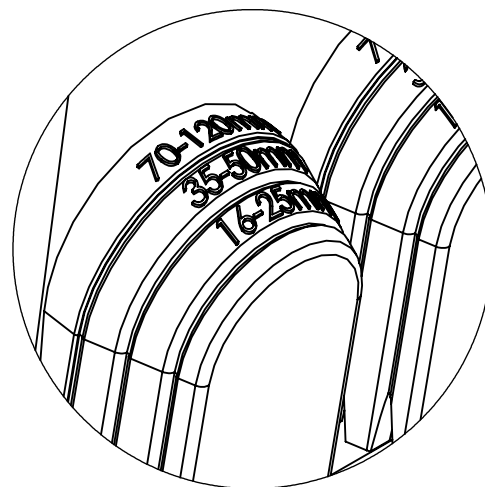
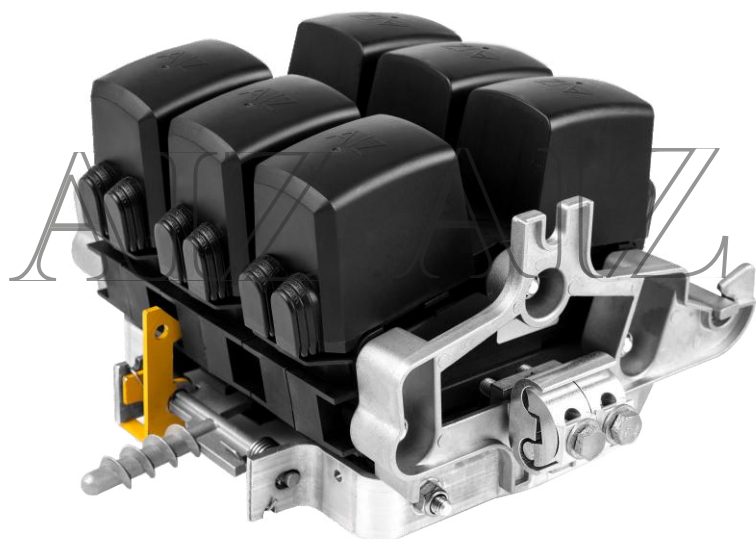
Conform to IEC 61238-1



**AIZ**

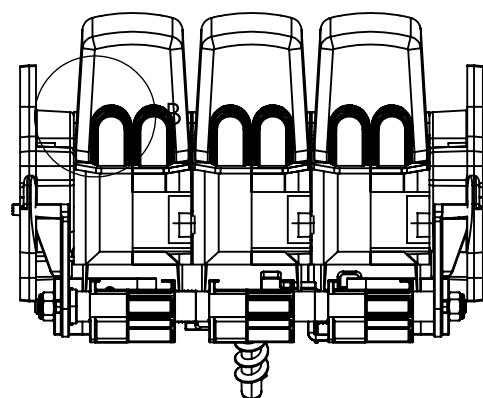
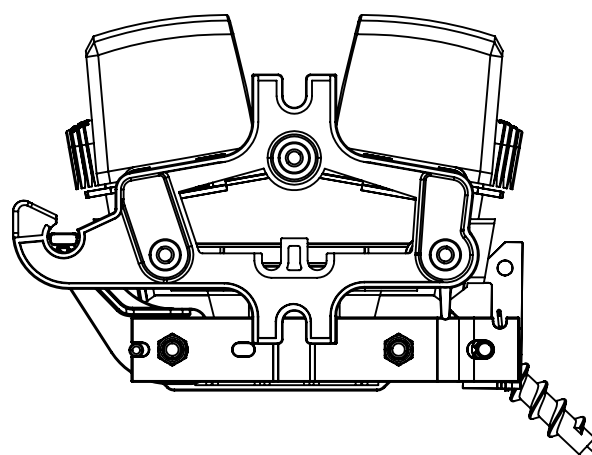
Darius ir Girėno 177D  
LT-02189 Vilnius Lietuva

www.aiz.lt  
mail@aiz.lt



SKS160 type pole fuse switch disconnectors are designed for protection and disconnection of network during faults, specially for on-load switch. The switch disconnectors provide reliable disconnection & protection of fully insulated open wire network. The product is ideally suited for mounting directly onto poles, transformer cross arms. Kit includes separate terminal covers for in-coming and out-going conductors for safe installation.

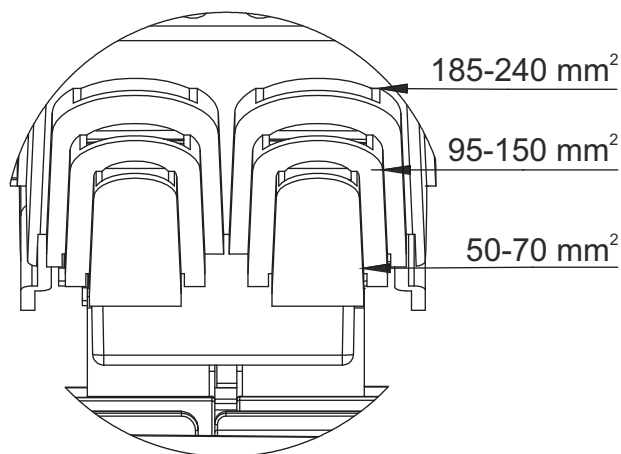
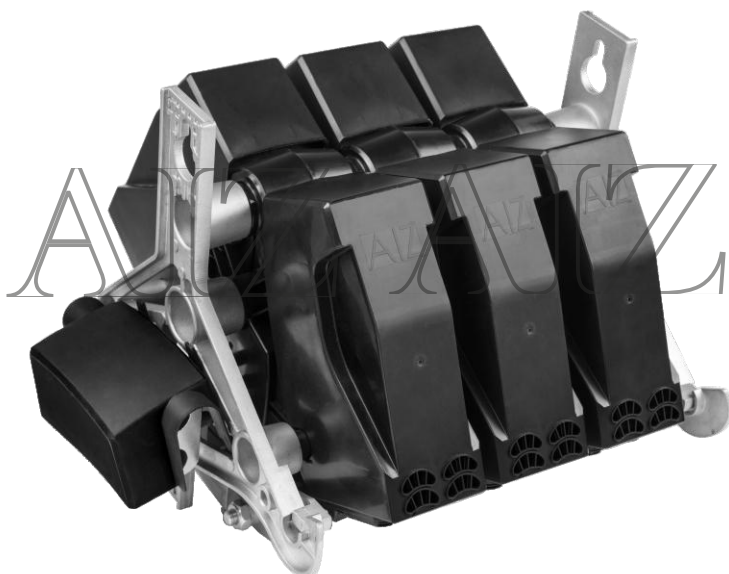
Technical parameter:	Value:
Rated operational voltage:	415 V
Rated frequency:	50 Hz
Nominal insulation voltage:	1000 V
Rated impulse voltage:	6 kV
Continuous rated current:	160 A
Rated operational current:	
▪ With fuse link:	160 A
▪ With jumper:	250 A
Conventional thermal current:	160 A
Rated conditional short-circuit current:	50 kA
Utilization category:	AC22B
Suitable for fuses:	NH00
Degree of soiling:	PD 3
Degree of protection:	IP23
Connection durability:	200 connections
Mechanical durability:	1600 cycles
Ambient temperature:	- 35 C° + 40 C°
Relative humidity of the air:	<=95%
Number of poles:	1, 3, 4
Conductor size Al:	16 - 120 mm <sup>2</sup>
Conductor size Cu:	16 - 120 mm <sup>2</sup>
Standard:	EN 60947-1 EN 60947-3



Conform to EN 60947-1 and EN 60947-3

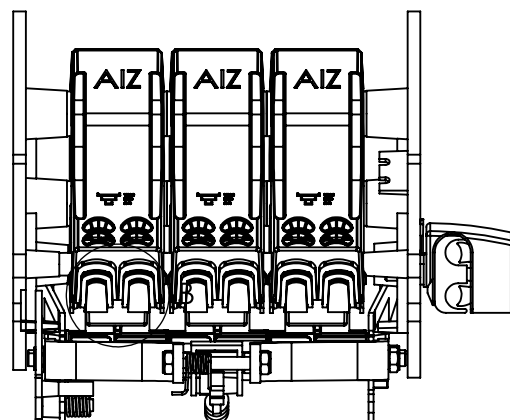
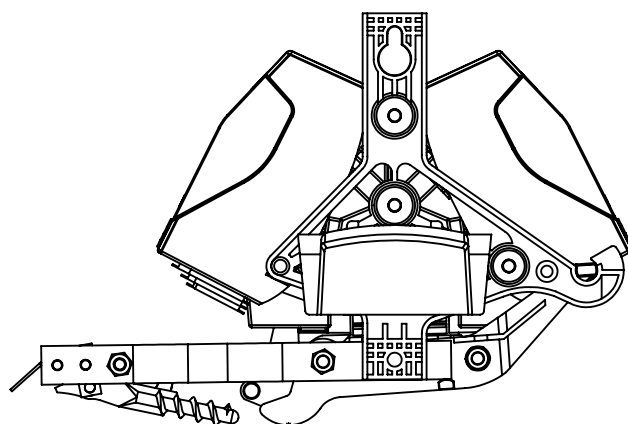


# POLE FUSE SWITCH DISCONNECTOR - SKS400



SKS400 type pole fuse switch disconnectors are designed for protection and disconnection of network during faults, specially for on-load switch. The switch disconnectors provide reliable disconnection & protection of fully insulated open wire network. The product is ideally suited for mounting directly onto poles, transformer cross arms. Kit includes separate terminal covers for in-coming and out-going conductors for safe installation.

Technical parameter:	Value:
Rated operational voltage:	500 V
Rated frequency:	50 Hz
Nominal insulation voltage:	1000 V
Rated impulse voltage:	12 kV
Continuous rated current:	400 A
Rated operational current:	
▪ With fuse link:	400 A
▪ With jumper:	630 A
Conventional thermal current:	400 A
Rated conditional short-circuit current:	100 kA
Utilization category:	AC22B
Suitable for fuses:	NH1 NH2
Degree of soiling:	PD 3
Degree of protection:	IP23
Connection durability:	200 connections
Mechanical durability:	1600 cycles
Ambient temperature:	- 35 C° + 40 C°
Relative humidity of the air:	<=95%
Number of poles:	1, 3, 4
Conductor size Al:	50 - 240 mm <sup>2</sup>
Conductor size Cu:	50 - 240 mm <sup>2</sup>
Standard:	EN 60947-1 EN 60947-3



Conform to EN 60947-1 and EN 60947-3

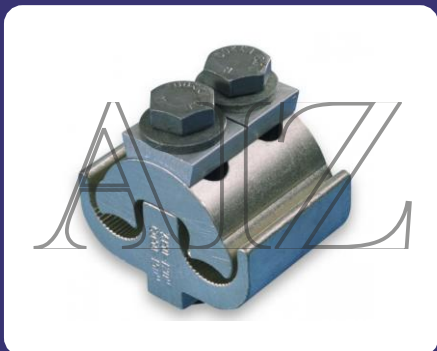


**AIZ**

Darius ir Girėno 177D  
LT-02189 Vilnius Lietuva

www.aiz.lt  
mail@aiz.lt

**LV OVERHEAD LINES**



**MV OVERHEAD LINES**



**HV OVERHEAD LINES**



**COMPOSITE INSULATORS**



**GLASS INSULATORS**



**PORCELAIN INSULATORS**



**PRODUCTION BY CNC**



**PRODUCTION BY CNC**



**SUBSTATION FITTINGS**



**1 KV JOINTS**



**1 KV TERMINATIONS**



**CABLE TOOLS**



**AIZ**

**UAB „AIZ“**

Dariaus ir Girėno 177D

LT-02189 Vilnius Lietuva

Tel: +370 5 235 0342

www.aiz.lt mail@aiz.lt